

DRAINTUBE

AFITEX-TEXEL Geosynthetics Inc.
1300 2e rue, Parc Industriel
Sainte-Marie de Beauce (Québec)
Canada G6E 1G8

DRAINTUBE™
Installation Guidelines

www.dRAINTUBE.net



DRAINTUBE™

**Groundwater or gas
drainage under pond**

DATE:12/21/2016

Synopsis

GENERAL DESCRIPTION AND REQUIREMENTS	3
1 HANDLING AND STORAGE	3
2 INSTALLATION	3
2.1 DRAINTUBE™ DESCRIPTION	3
2.2 PUTTING INTO PLACE	4
2.3 TRANSVERSE CONNECTIONS (AT THE END OF A ROLL)	5
2.4 SIDE BY SIDE CONNECTIONS.....	6
3 TERMINATION	7
3.1 CONNECTION TO LIQUID INTERCEPTOR DRAINS	7
3.2 CONNECTION TO GAS INTERCEPTOR DRAINS	7
3.3 QUICK CONNECT™ SYSTEM	9
4 REPAIR	10
5 GEOMEMBRANE INSTALLATION	10
TABLE OF FIGURES	11

General Description and Requirements

The product consists of two geotextile layers comprised of short synthetic fibers of 100% polypropylene or polyester which are needlepunched together. Corrugated polypropylene pipes with two perforations per valley at 180 degree spacing and rotated 90 degrees per valley are inserted longitudinally between the geotextile layers during the manufacturing process at uniform intervals. DRAINTUBE™ is manufactured in Canada.

The specific DRAINTUBE™ product supplied varies depending on the required hydraulic performance for such conditions as: flow length, slope, permeability, flow volume and maximum hydraulic pressure. The specifications for each product are shown on specific technical data sheets.

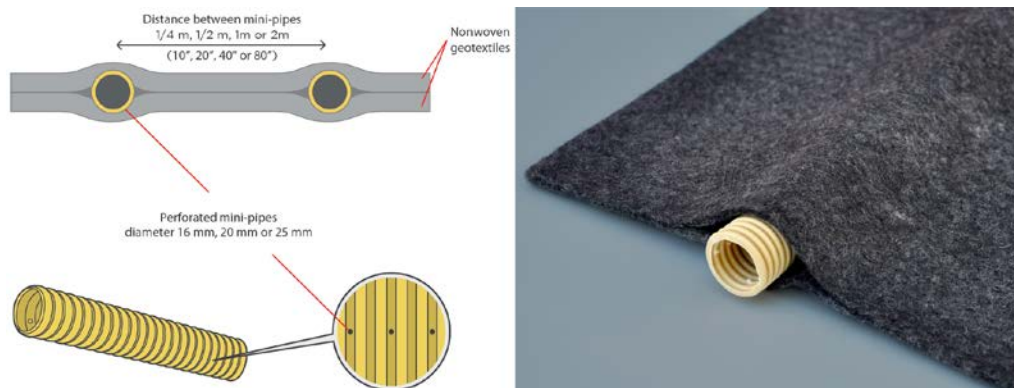
1 HANDLING AND STORAGE

Rolls of DRAINTUBE™ Geocomposite shall be shipped to the jobsite in a manner that will not cause damage to the rolls. The rolls shall be stored flat on a smooth surface (no wooden pallets) away from dirt, mud and excessive heat. For more detailed handling and storage information, please refer to ASTM D4873. The contractor shall handle the rolls so that they are not damaged in any way.

2 INSTALLATION

2.1 DRAINTUBE™ description

DRAINTUBE™ Geocomposite is supplied on rolls 3.98 m (13 ft.) wide (figures 1 & 2).



Figures 1: DRAINTUBE™ structure



Figure 2: DRAINTUBE™ Packaging

2.2 *Putting into place*

DRAINTUBE™ is unrolled on a base which has been graded and compacted to the required elevation (figures 3). Insure that the product is properly oriented.



Figure 3: DRAINTUBE™ installation

The geocomposite must be properly anchored on top of the slopes (figure 4). For slopes longer than the length of a roll, only full length rolls should be used at the top. Overlaps shall be shingled down the slope and/or in the direction that backfilling will occur.



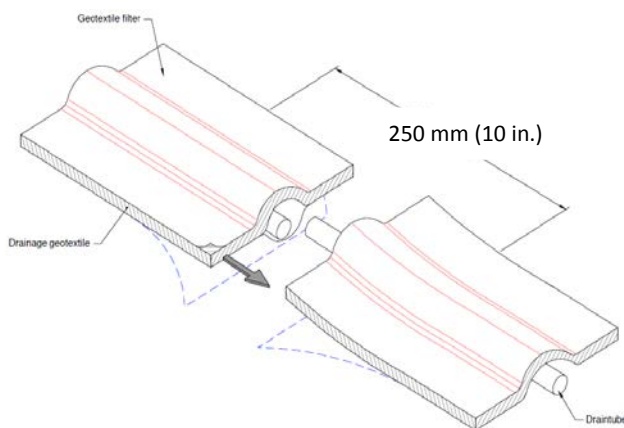
Figure 4: DRAINTUBE™ anchoring

Protect underlying layers from damage during placement of the geocomposite. Use sandbags or equal to weigh down the geocomposites prior to backfilling to prevent displacement by the wind.

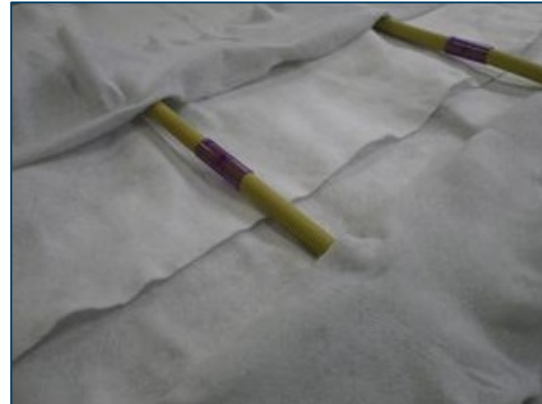
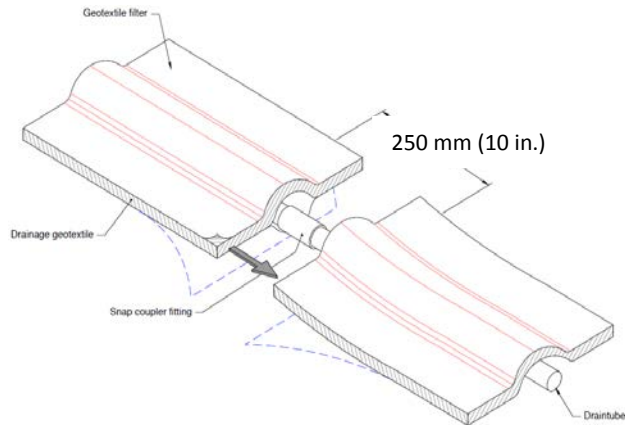
2.3 Transverse Connections (at the end of a roll)

To ensure continuity of flow in the pipe between rolls, transverse joints are used. The pipe joints may be either mechanical connectors or overlaps at the engineers' discretion. Mechanical connections are recommended under high compressive loads.

The filter layer of the geocomposite is rolled back. The end of the next roll is inserted into these openings with the pipes placed side by side (figures 5) or mechanically connected (figures 6 & 7) with snap couplers provided. Overlapped geotextiles shall be secured using sewn seams, welds (hot air or flame) or additional overlap.



Figures 5: Transverse connections without couplers



Figures 6: Transverse connections with couplers



Figure 7: Mini-pipe junction with couplers

2.4 Side by Side Connections

Side by Side Connections require an overlap of 250 mm (10 in.). To avoid displacement (due to wind, backfilling, etc.), the overlap may be secured with sewn seams, welds, hot air or additional overlap. The spacing between welds shall be no greater than 6 feet (figures 7). Connection method requirements shall be at the direction of the engineer.

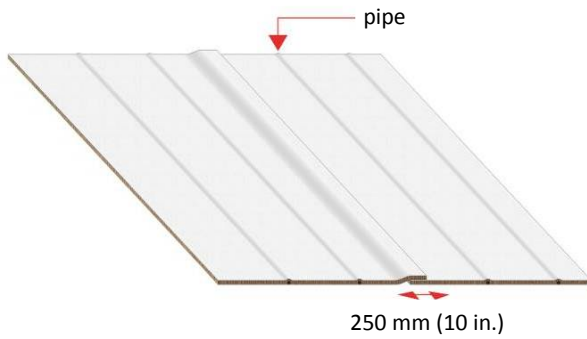
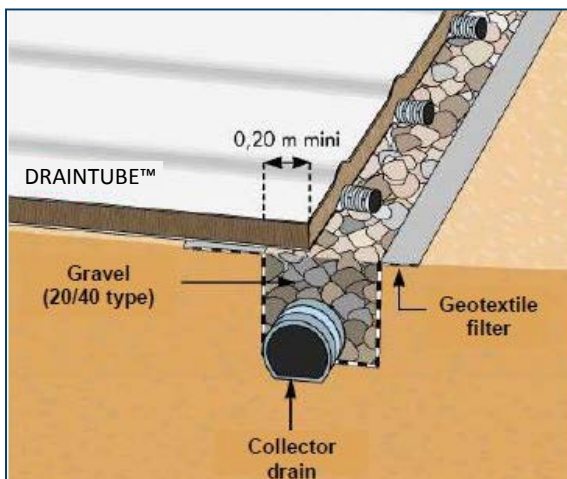


Figure 8: Side by side connections

3 TERMINATION

3.1 Connection to liquid interceptor drains

Connection to an interceptor drain requires an overlap of a minimum of 200 mm (8 in.) (figures 9) and a geotextile cover.



Figures 9: Connection to liquid interceptor drain

3.2 Connection to gas interceptor drains

In case of gas drainage under the geomembrane, DRAINTUBE™ is connected to a peripheral collection system (perforated pipe and vents) to evacuate the gas (figures 10 & 11).

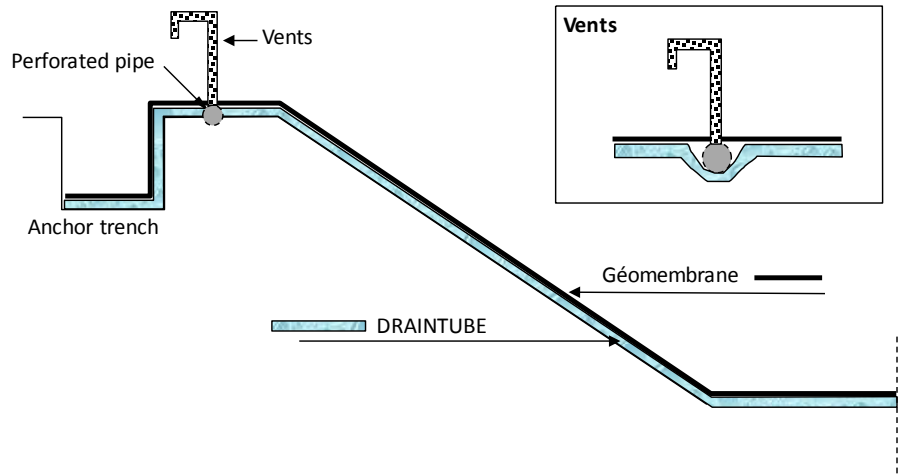


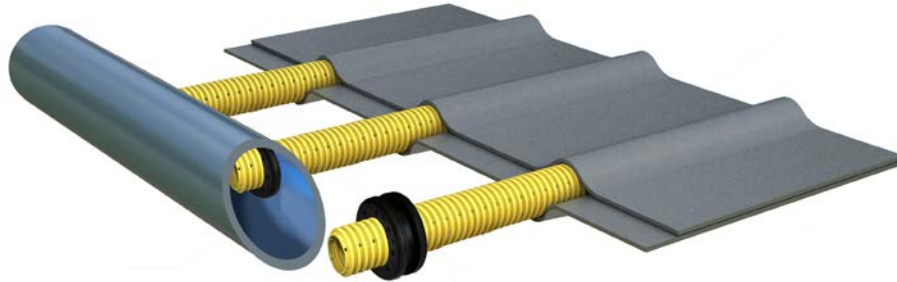
Figure 10: Connection details



Figures 11: Vents

3.3 Quick Connect™ system

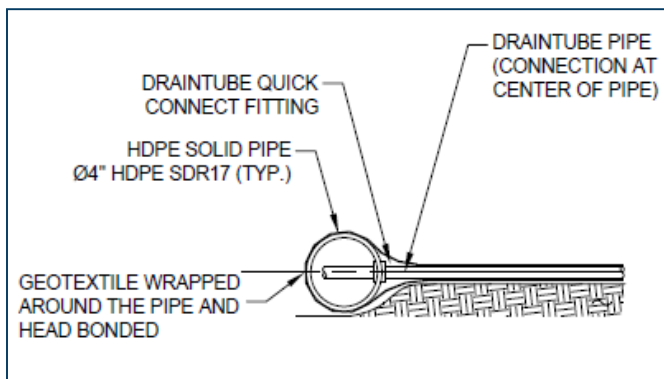
DRAINTUBE™ can be connected directly to the collector drain using the Quick Connect™ system (figures 12, 13 & 14). For vacuum applications, this allows a positive connection of the mini-pipes to the collector drain.



Figures 12: Quick Connect™ system



Figures 13: Connection to a plain drain with Quick Connect™



Figures 14: Connection details

4 REPAIR

Prior to covering the deployed geocomposite, each roll shall be inspected for damage. Any rips, tears or damaged areas on the geocomposite shall be removed and patched.

If a section of pipe is damaged during installation, add a piece of undamaged pipe of the same size next to the damaged pipe plus a minimum 200 mm (8 in.) extending beyond the damaged section of pipe at each end (see longitudinal connection). If the underneath geotextile is damaged, install an undamaged piece of the same material under the hole and extending a minimum of 200 mm (8 in.) beyond the hole. Damaged filter must be replaced by another filter to properly protect the pipe.

If the area to be repaired is more than 50 percent of the width of the panel, the damaged area shall be cut out and replaced with undamaged material using the connection methods described above.

5 GEOMEMBRANE INSTALLATION

DRAINTUBE™ shall not stay uncovered for more than 14 days after deployment. Geomembrane is to be installed without displacing the DRAINTUBE™ (figures 15).

Low ground pressure All-Terrain Vehicle (ATV) that exerts a maximum load of 6 psi may be used on DRAINTUBE™. It shall be operated to avoid abrupt stops, starts, and/or turns. ATV tires shall be clean and no passengers are allowed on the ATV. No other equipment shall be operated on the top surface of the geocomposite drainage layer without permission from the Engineer.



Figures 15: Geomembrane installation

Table of figures

Figures :

Figures 1: DRAINTUBE™ structure	3
Figure 2: DRAINTUBE™ Packaging.....	4
Figure 3: DRAINTUBE™ installation.....	4
Figure 4: DRAINTUBE™ anchoring.....	5
Figures 5: Transverse connections without couplers.....	5
Figures 6: Transverse connections with couplers	6
Figure 7: Mini-pipe junction with couplers	6
Figure 8: Side by side connections	7
Figures 9: Connection to liquid interceptor drain.....	7
Figure 10: Connection details	8
Figures 11: Vents.....	8
Figures 12: Quick Connect™ system	9
Figures 13: Connection to a plain drain with Quick Connect™	9
Figures 14: Connection details	9
Figures 15: Geomembrane installation.....	10